

55 Watt DC 1GB Power Over Ethernet Indoor Adapter CPG55-270

The CPG55-270 is a wide range DC input , 1GB P.O.E (Power Over Ethernet) combined data and power adapter that interfaces to the customer's wireless modem and other Link and Net products.

DC input voltage range is 20 TO 60V . operation Temperature range is -5 to +40 ° C

The unit provides an RJ-45 input connector, that is connected to 1 GB transformers for connection to an IEEE 802.3 (1 GB) compatible device.

The unit receives DC INPUT power from 20V to 60V using a standard 3pins connector. An output RJ45 connector provides the 1GB data and 55V or other voltages for connection to the wireless modem ,use of 4 PAIRS to carry the Data and the power to the Radio terminal.

Main Features

- Option for easy installation on wall
- Compact size – 160 x 63 x 32 mm
- High efficiency – free convection cooling
- Wide-range DC input voltage 20 to 60V ,covering 24 ,48V DC inputs
- Input reverse polarity protection
- Full output protection OCP. SC. OVP
- Meets FCC 15 & EN55022 class B requirements
- Operating temperature range -5° C to +40° C with no derating
- CE, TUV approved

Typical Applications

- Power Over Ethernet
- Fast data modems
- Wireless modems
- 1 GB systems
- Video / Data / Voice modems

Main Specifications

Input

- 20 to 60VDC (wide range)
- Input inrush current 80A@ cold start
- Input reverse polarity protection
- Input reflected ripple per FCC part 15 & EN55022 class B
- Input connector 3 poles

Output

- Output voltage: 55VDC
- Output current: 0 – 1.0 A
- Efficiency: 80% minimum
- Voltage regulation - $\pm 2\%$ Max. For load and line variation
- Temperature coefficient – 0.05% / C max
- Voltage set point – Internal trim-pot $\pm 5\%$
- Isolation – input/output – 1500Vdc
- input/case >1500Vdc
- Output /case >500Vdc
- Protection – output protected against overload, short-circuit and over voltage



- Surge protection – on DC and data lines

Environmental

- Operation temperature range -5°C to +40°C
- Storage temperature range -40°C to +80°C
- EMI / RFI – Meets EN55022 class B requirements & IEC-1000 requirements.
- MTBF – Higher than 200,000 hour

Safety & EMC

- **Safety referring Standards:**
 - TUV UL1950-1 Second Edition
 - CE EN 60950-1 Second Edition
- **EMC referring Standards:**
 - ETSI EN 301 489-1 V1.4.1 (2002-08)
 - ETSI EN 301 489-4 V1.3.1 (2002-08)
 - ETSI EN 301 489-17 V1.2.1 (2002-08)
- **Emission**
 - FCC Part 15, class B.
 - CE (Radiated & Conducted Emission) EN55022 Class B
 - Harmonic EN61000-3-2
 - Voltage Fluctuation EN61000-3-3
- **Immunity**
 - **ESD** EN61000-4-2
 - **Radiated Immunity** EN61000-4-3
 - **EFT** EN61000-4-4

Mechanical

- Size – 160 L x 63 W x 32 H mm
- Weight – 300gr. Max
- Cooling – free convection
- Input DC – 3 pin CONNECTOR

Reliability

- **MTBF**
200,000 Power On Hours at 55W load and 45°C environment, computed according to MIL-HDBK-217F, Ground Fixed conditions, using the parts stress method
- **Burn-In**
100% Burn-In with 80-100% load & 40°C environment temperature for 8 hours minimum

Outputs Connection

RADIO-RJ-45

Pin 1, Data , +55V
Pin 2, Data , +55V
Pin 3, Data , - 55V

Ethernet RJ-45

Pin 1, Data
Pin 2, Data
Pin 3, Data

Pin 4, Data , +55V
 Pin 5, Data , +55V
 Pin 6, Data , - 55V
 Pin 7, Data , - 55V
 Pin 8, Data , - 55V

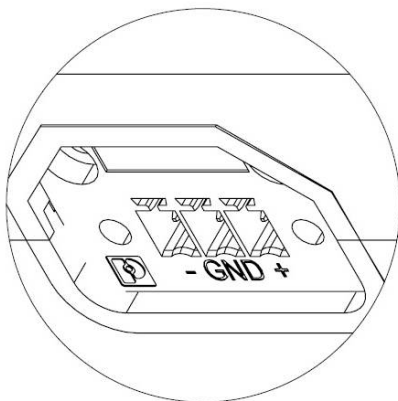
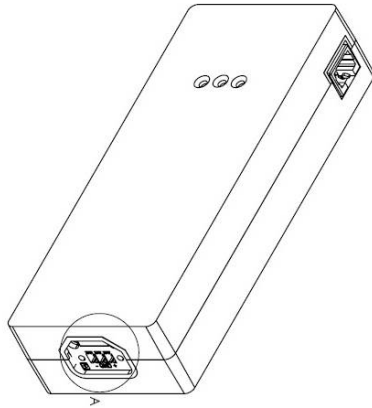
Pin 4, Data
 Pin 5, Data
 Pin 6, Data
 Pin 7, Data
 Pin 8, Data

Output 1: 55V/0.50A
 Pin 1,2 +55V
 Pin 3,6 Return

Output 2: 55V/0.50A
 Pin 4,5 +55V
 Pin 7,8 Return

Warranty

Two (2) years manufacture's warranty



DETAIL A
 SCALE 5:1

